

ISO 5211 Pneumatic Rotary Actuator Operated
High Pressure Ball Valve
WOG 3000



"Cair" offers ISO 5211 Standard Pneumatic Actuator as well Manual Hand Lever Operated Low Torque High Pressure Ball Valve.

Size Range : 1/2" to 2" Screwed

Actuator

Technical Specifications :

Type	Rack and Pinion Type
Actuation	Double Acting / Single Acting (Spring Return)
Mounting Std.	ISO 5211 An International Standard
Pneumatic Connection	NAMUR Standard

For more details please refer Catalogue APL / 1001

Ball Valve

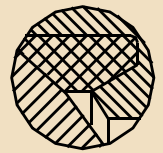
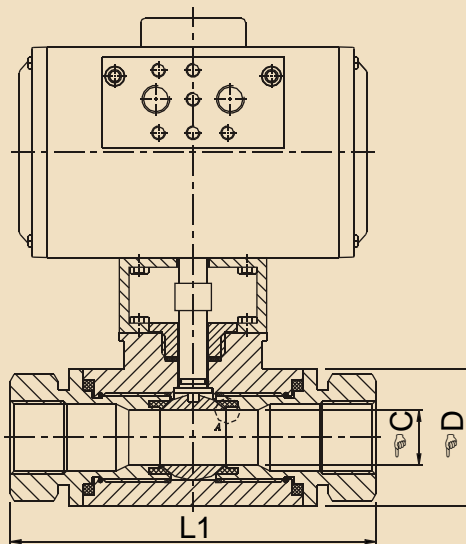
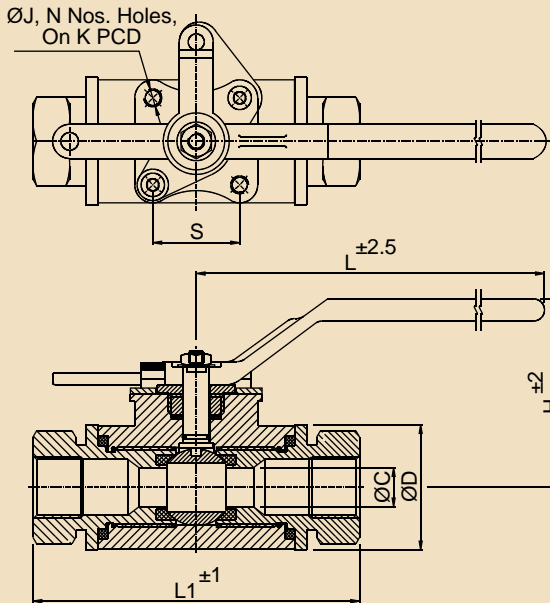
Technical Specifications :

Body	ASTM A216 Gr. WCB / ASTM A351 Gr. CF8 / CF8M
Ball	Stainless Steel AISI 304 / 316
Stem	Stainless Steel AISI 304 / AISI 316
Gland	Stainless Steel AISI 304 / AISI 316
Seat Packing	PTFE / 35% Carbon Filled PTFE
Gland Packing	Grafoil / Graphite / PTFE
Pressure	200 Kgs (3000 WOG)
End Connection	Screwed to - BSP / NPT, Socket Weld Ends



High Temperature available on request

Item	Type of Test	Testing Pressure	Working Pressure
Valve Body Screwed End	Hydraulic	300 Kg	200 Kg



Before Fire



After Fire

Detail 'A'

Dimensions :

(All Dimensions are in mm)

Valve Model	Size		L	L1	H	C	D	S	J	N	PCD	Weight	
	MM	Inch										Actuator	Manual
WOG - 15	15	1/2"	165	98	75	12.7	39	25.4	M5X0.8	4	36	2.530	1.330
WOG - 20	20	3/4"	205	108	90	17.5	48	31	M6X1	4	42	3.440	1.440
WOG - 25	25	1"	205	108	96	22.3	55.5	31	M6X1	4	42	4.100	2.100
WOG - 32	32	1.1/4"	255	133	124	31.8	76.5	35.3	M6X1	4	51.5	8.150	4.850
WOG - 40	40	1.1/2"	260	133	124	31.8	76.5	35.3	M6X1	4	51.5	7.580	4.280
WOG - 50	50	2"	260	159	125	38.1	89.5	35.36	M6X1	4	51.5	13.790	7.420